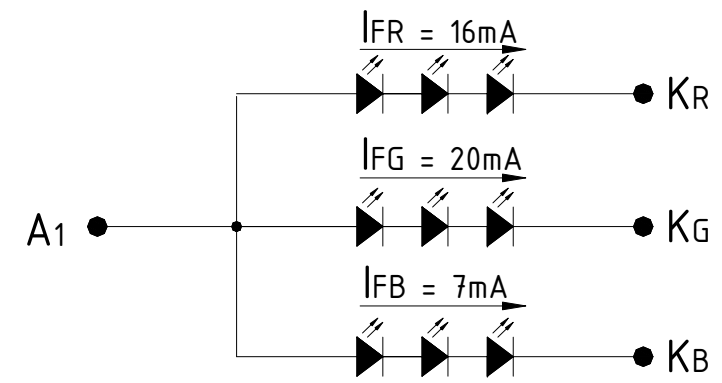
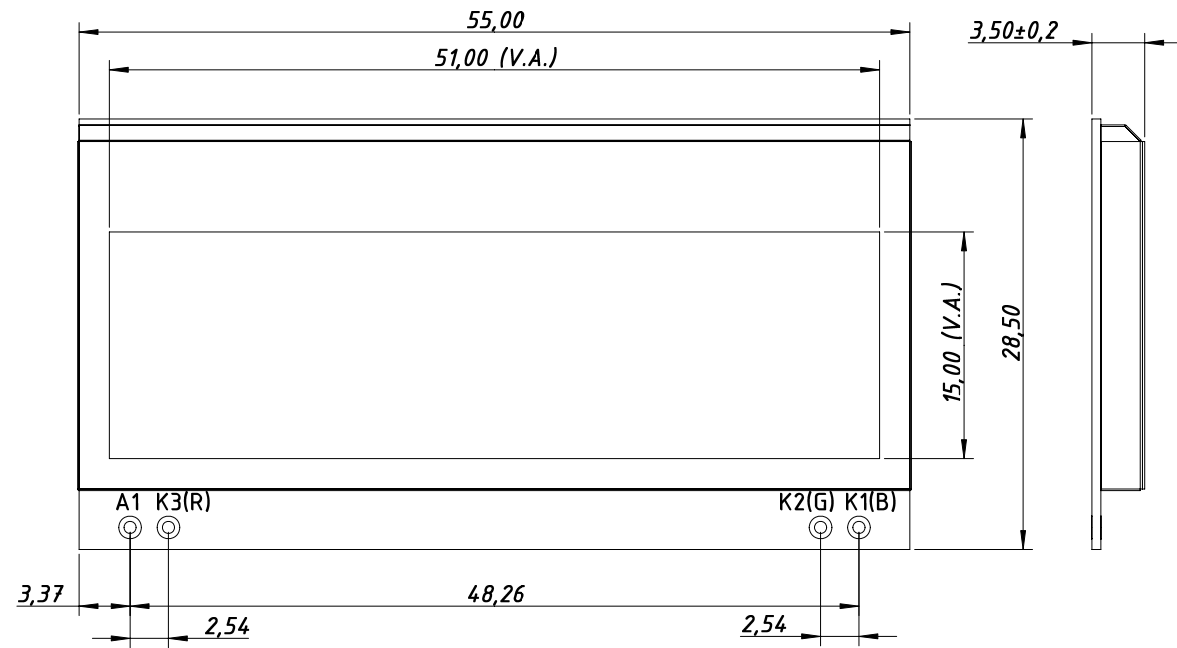
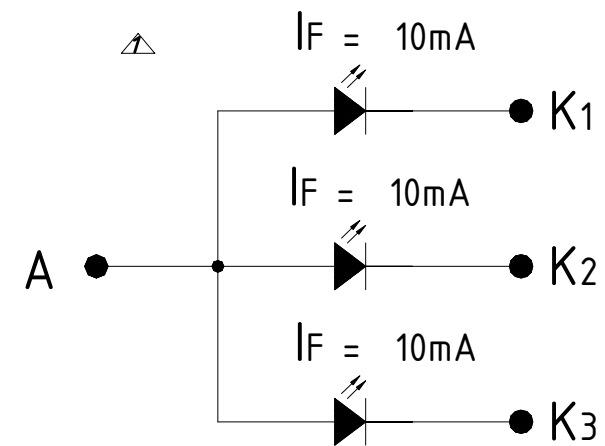
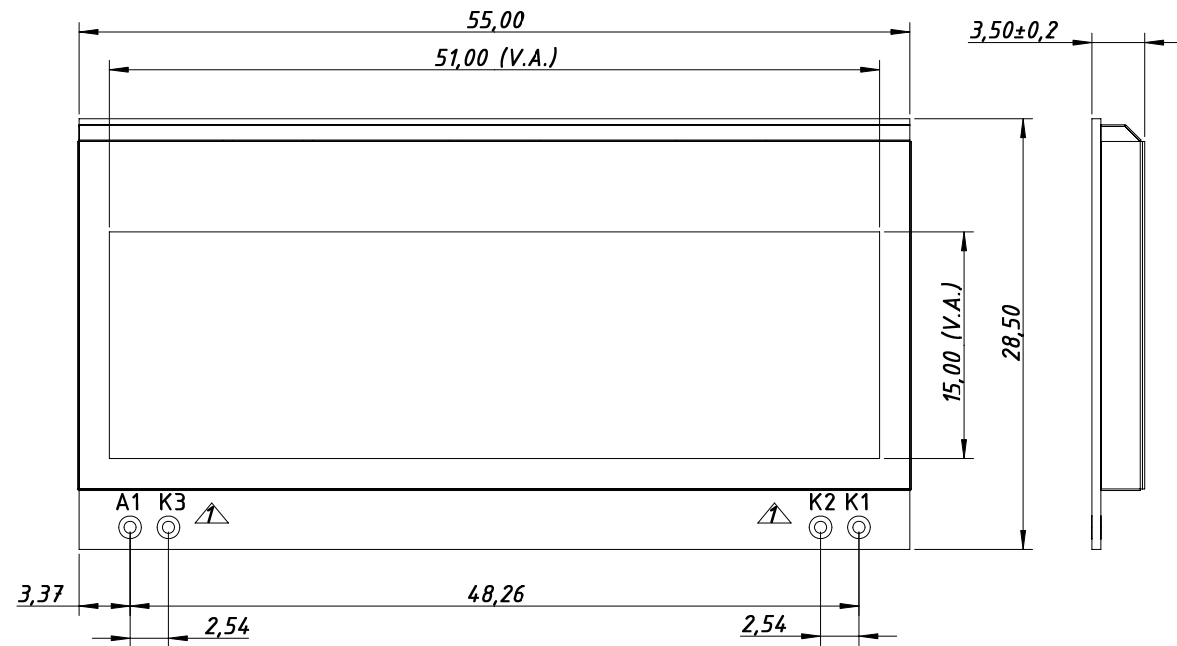


### 991896\_BLRGB (Backlight LED RGB)



### 991896\_BL (Backlight LED white)



		Unassigned tolerance: ± 0.2		Scale 2:1	Unit mm	Size A3
		Created 08.06.10	Name Kellner	<h1>DRAFT</h1> <h2>SUBJECT TO CHANGE</h2>		
1	0.1	Change Circuit Diagram	02.07.10			
ADMATEC GmbH		D-20097 Hamburg		This product complies to EU directive 2002/95/EC (RoHS) of January 27th, 2003		